

Flexible Shaft Machines - Mammoth - Multi-Speed, 480 Volt 3-phase Machine; 1 Horsepower - Overdrive for PFERD Mammoth Flexible Shaft Machine

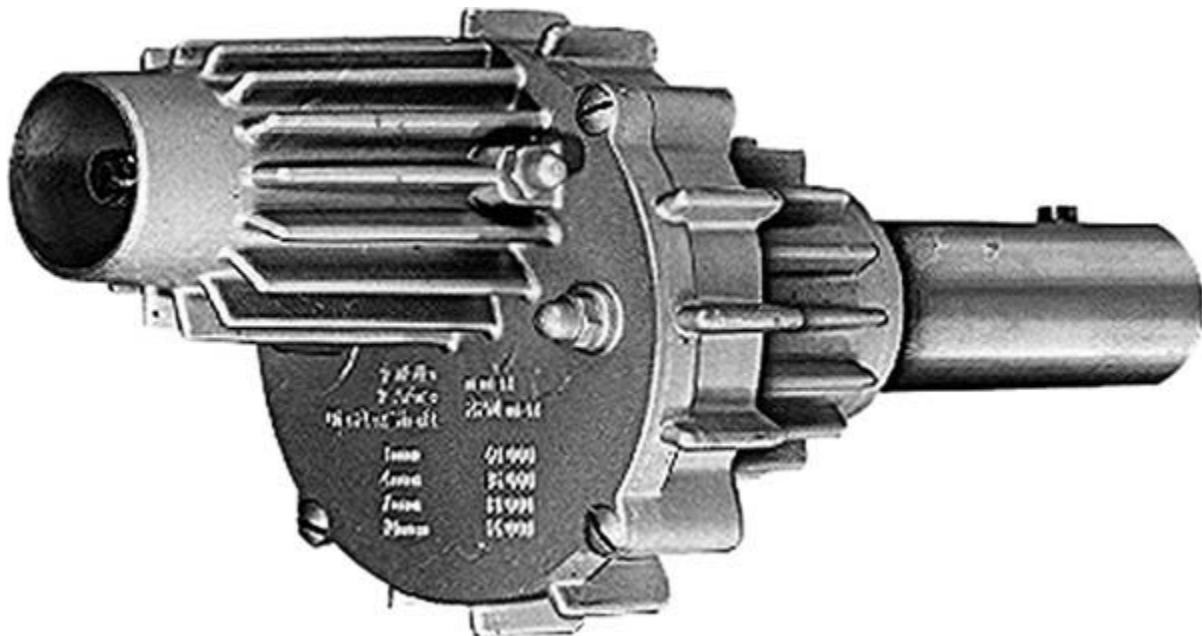
PFERD offers a wealth of possibilities for combining abrasives and power tool systems to achieve the perfect solution for any given material/workpiece and machining task. PFERD power tools include electric, pneumatic and flexible shaft machines. Accessories and tool maintenance equipment for all tools is also available.

Flexible Shaft Machines supply new-found freedoms: By separating the motor from the tool with a shaft, it is no longer necessary to bring a bulky tool to your workpiece. Instead, the motor can rest on the floor or hang from a nearby hook. As a result, it is no longer necessary to support the weight of the power tool while grinding. The handpieces are extremely small, and can reach into areas that are simply not accessible by any hand-held straight grinder. By placing the power source away from the application and out of view, users experience freedom from heat, noise and vibration from the power source.

Industrial flexible shaft tools are offered in several styles, from a small 500 watt machine with 120 volt right up to our high end Mammoth machine, which is 3-phase, 480 volt, 1 horsepower.

The Mammoth Machine is a high performance power source. The 480 volt, 3-phase motor is built the old fashioned way. It is designed to last, and to generate lots of power. And it does both of these extremely well. In today's throw-away society, the Mammoth is a new relic. 7 gear setting including 14,400, 9,600, 6,800, 3,800, 2,500, 1,900 and 1,000 RPM's are fixed. An overdrive unit is available with a transmission of 1:3 to increase the speed selection.

If you're looking for a long term relationship with power, performance and versatility, take a look at the Mammoth machine. It will change your definitions of "productivity" and "versatility".



EDP Description

92901 Overdrive Unit [Request Info](#)