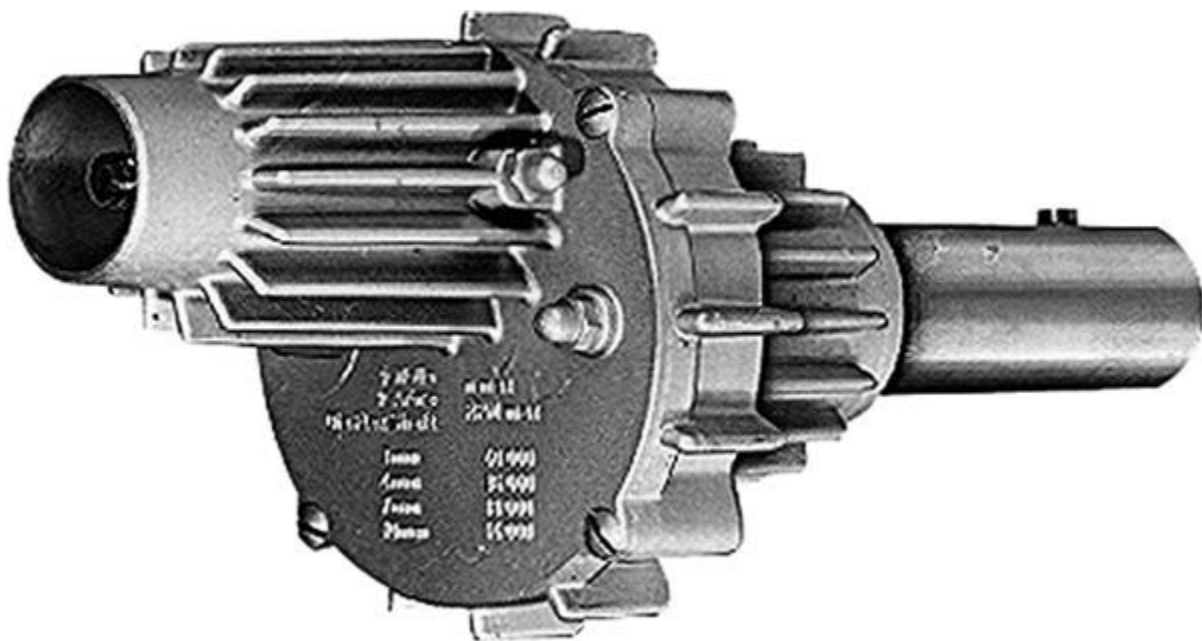


## Flexible Shafts & Accessories - Overdrive Unit for Mammoth Flexible Shaft Machines - Overdrive Unit ST 103 for Flexible Shaft Drives

PFERD offers a wealth of possibilities for combining abrasives and power tool systems to achieve the perfect solution for any given material/workpiece and machining task. PFERD power tools include electric, pneumatic and flexible shaft machines. Accessories and tool maintenance equipment for all tools is also available.

PFERD Flexible Shafts are available in a variety of lengths and diameters to suit your needs. Whether you require a large diameter shaft to transfer high torque at low speed, or a highly flexible shaft to run at high speeds with small diameter tools, PFERD offers a wide selection of solutions to equip your flexible shaft machine.

This overdrive unit has a 1:3 transmission ratio. When attached to your Mammoth machine, the overdrive allows milling and grinding work to be conducted in the 15,000 to 36,000 RPM range.



EDP Description

92901 Overdrive Unit [Request Info](#)