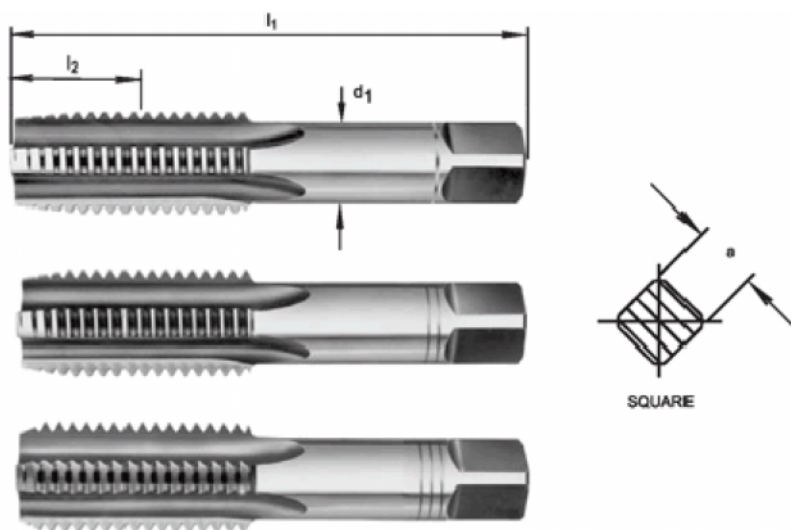


Code
518

Serial Hand Taps

THREADING
TOOLS



SIZE	Pitch	l_1	l_2	d_1	a	SET	ROUGHER	INTERMEDIATE	FINISHER
M3	0.5	40	11	3.5	2.7	5180300	5180301	5180302	5180303
M3.5	0.6	45	13	4.0	3	5180350	5180351	5180352	5180353
M4	0.7	45	13	4.5	3.4	5180400	5180401	5180402	5180403
M4.5	0.75	50	16	6.0	4.9	5180450	5180451	5180452	5180453
M5	0.8	50	16	6.0	4.9	5180500	5180501	5180502	5180503
M6	1.0	50	19	6.0	4.9	5180600	5180601	5180602	5180603
M7	1.0	50	19	6.0	4.9	5180700	5180701	5180702	5180703
M8	1.25	56	22	6.0	4.9	5180800	5180801	5180802	5180803
M9	1.25	63	22	7.0	5.5	5180900	5180901	5180902	5180903
M10	1.5	70	24	7.0	5.5	5181000	5181001	5181002	5181003
M12	1.75	75	29	9.0	7	5181200	5181201	5181202	5181203
M14	2.0	80	30	11.0	9	5181400	5181401	5181402	5181403
M16	2.0	80	32	12.0	9	5181600	5181601	5181602	5181603
M18	2.5	95	40	14.0	11	5181800	5181801	5181802	5181803
M20	2.5	95	40	16.0	12	5182000	5182001	5182002	5182003
M22	2.5	100	40	18.0	14.5	5182200	5182201	5182202	5182203
M24	3.0	110	50	18.0	14.5	5182400	5182401	5182402	5182403